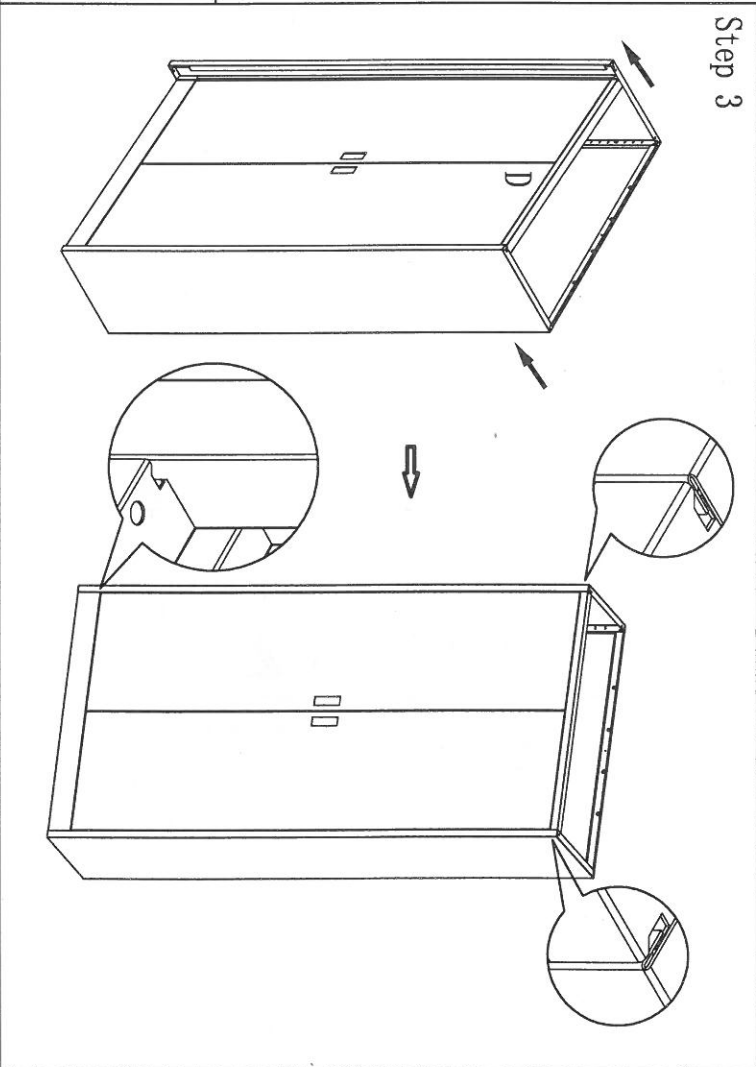
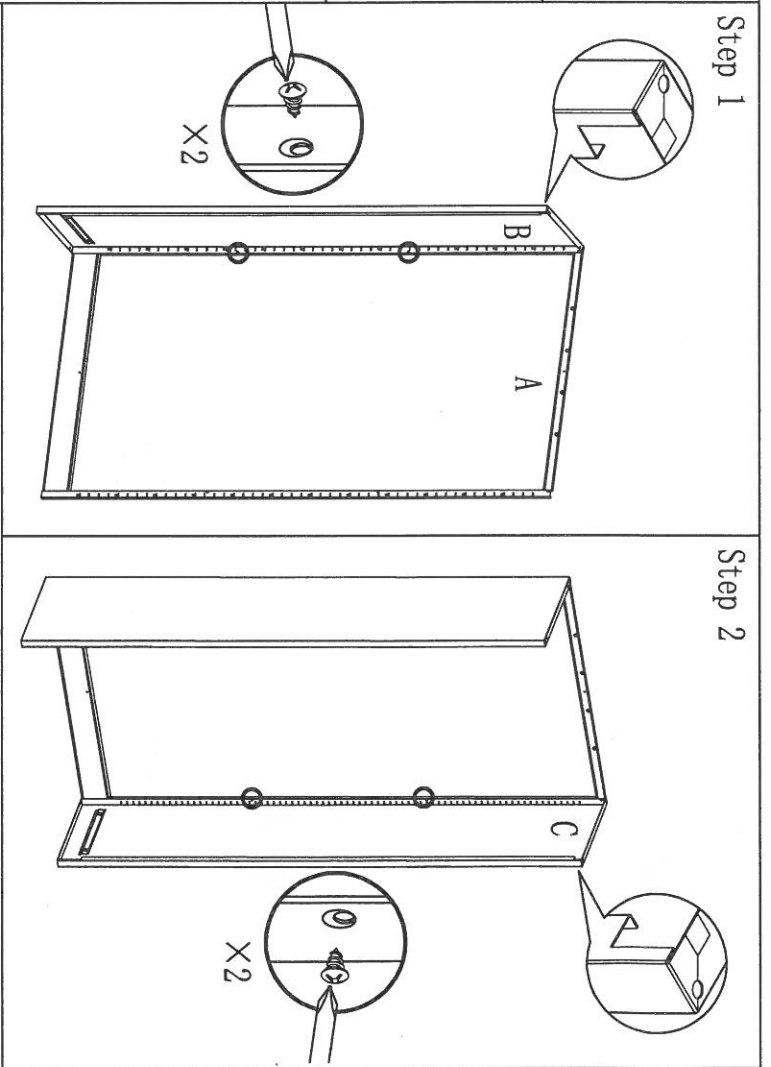
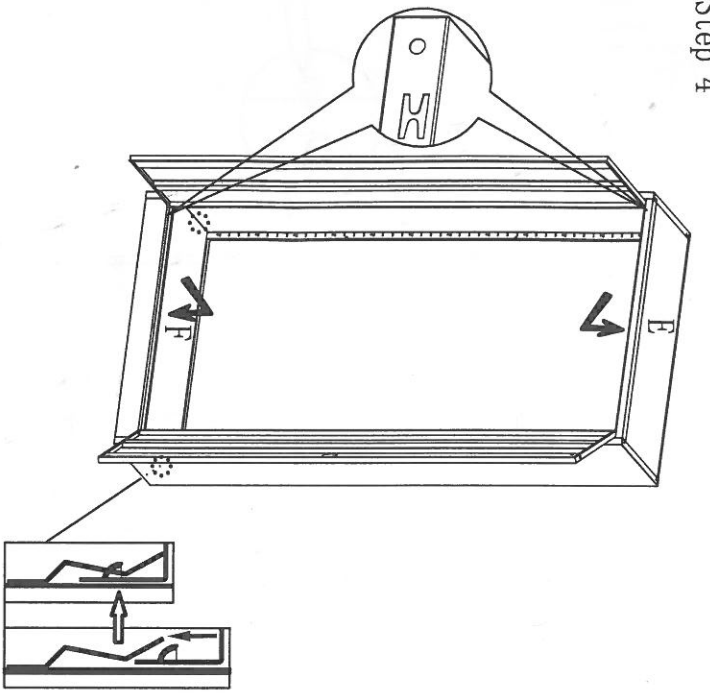


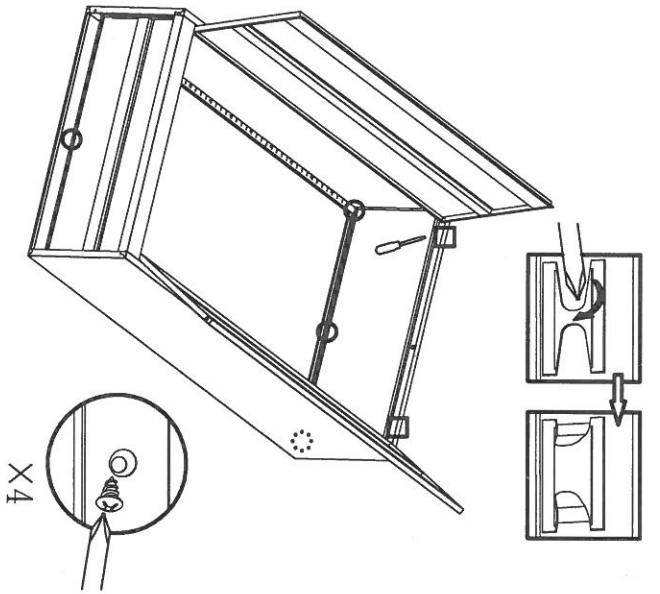
AX1 	GX4 		
BX1 	HX16 	CX1 	IX8 
DX1 	1 Pair 	EX1 	
FX1 		NEED TO PREPARE THE TOOLS 	



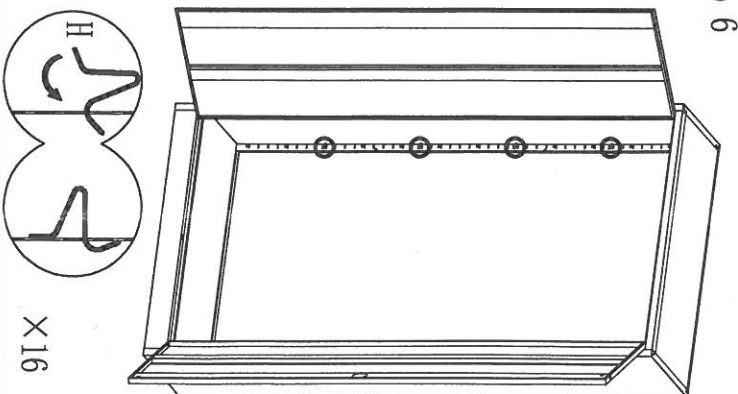
Step 4



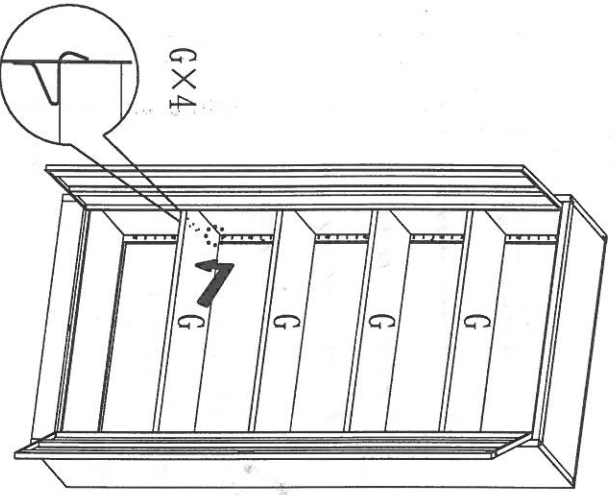
Step 5



Step 6



Step 7



HDW-02

